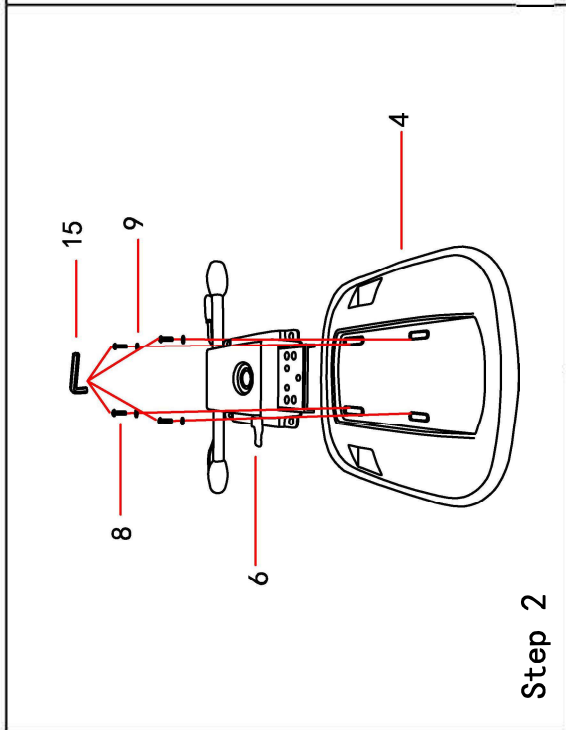
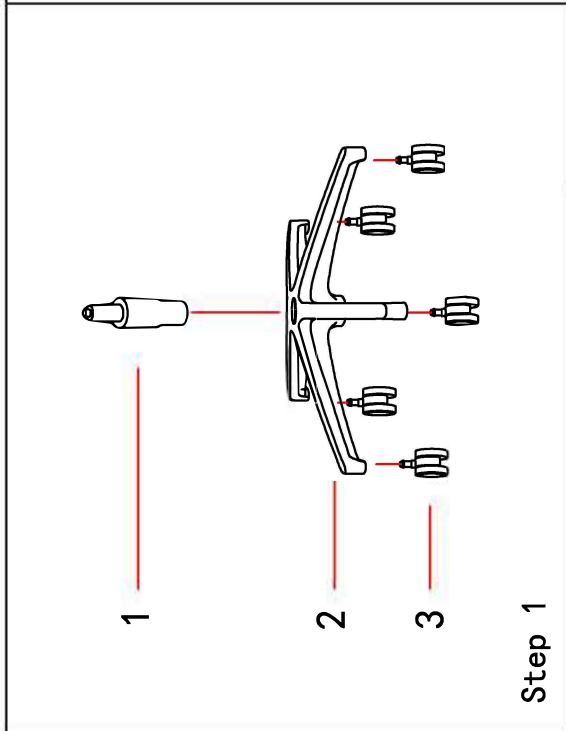


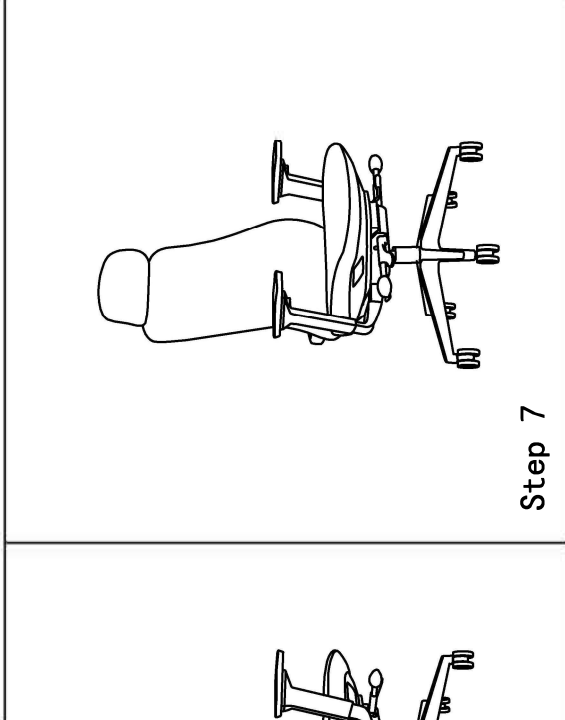
Step 1



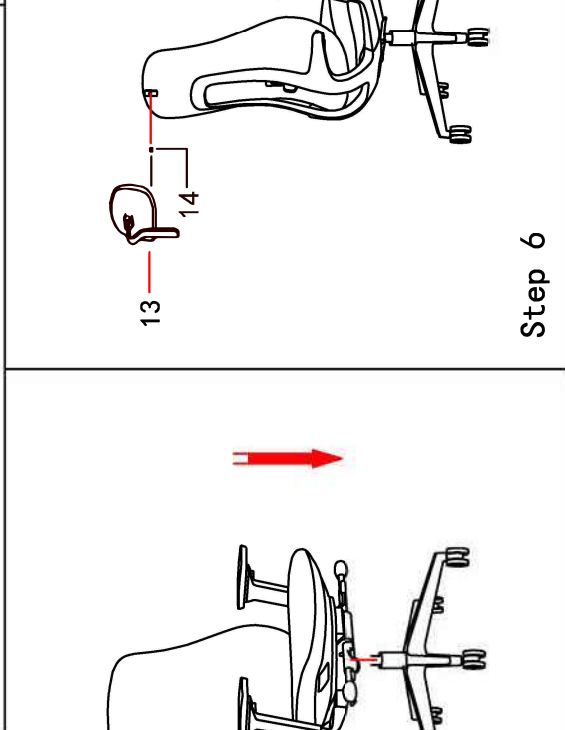
Step 2



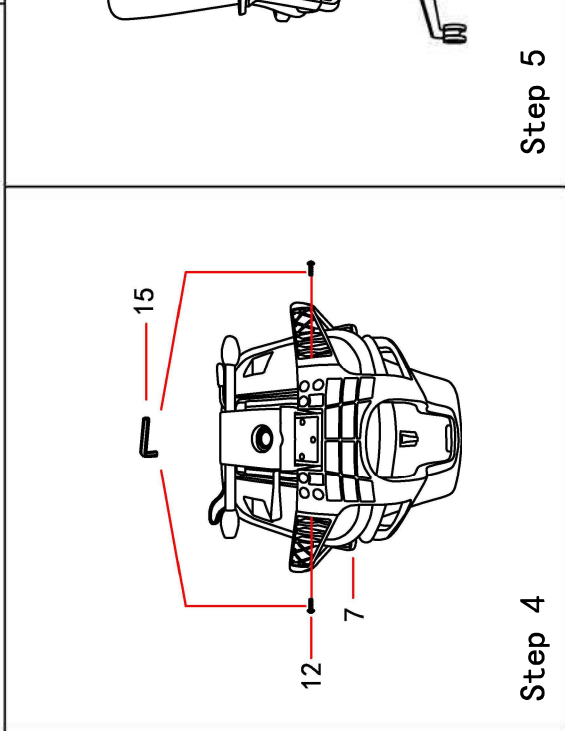
Step 3



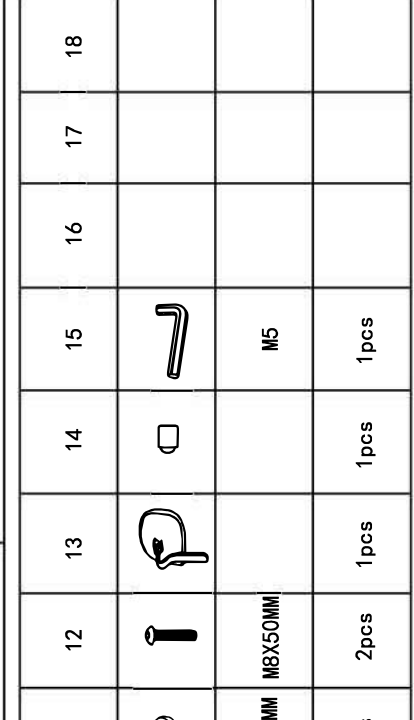
Step 4



Step 5



Step 6



Step 7

NO.	1	2	3	4	5	6	7	8	9	10	11	12	13	14	15	16	17	18	
SKETCH																			
SIZE								M6X16MM	M8X17MM	M8X45MM	M8X13MM	M8X50MM			M5				
QTY	1pcs	1pcs	5pcs	1pcs	1pcs	2pcs	4pcs	7pcs	3pcs	3pcs	3pcs	2pcs	1pcs	1pcs	1pcs				

TERRA